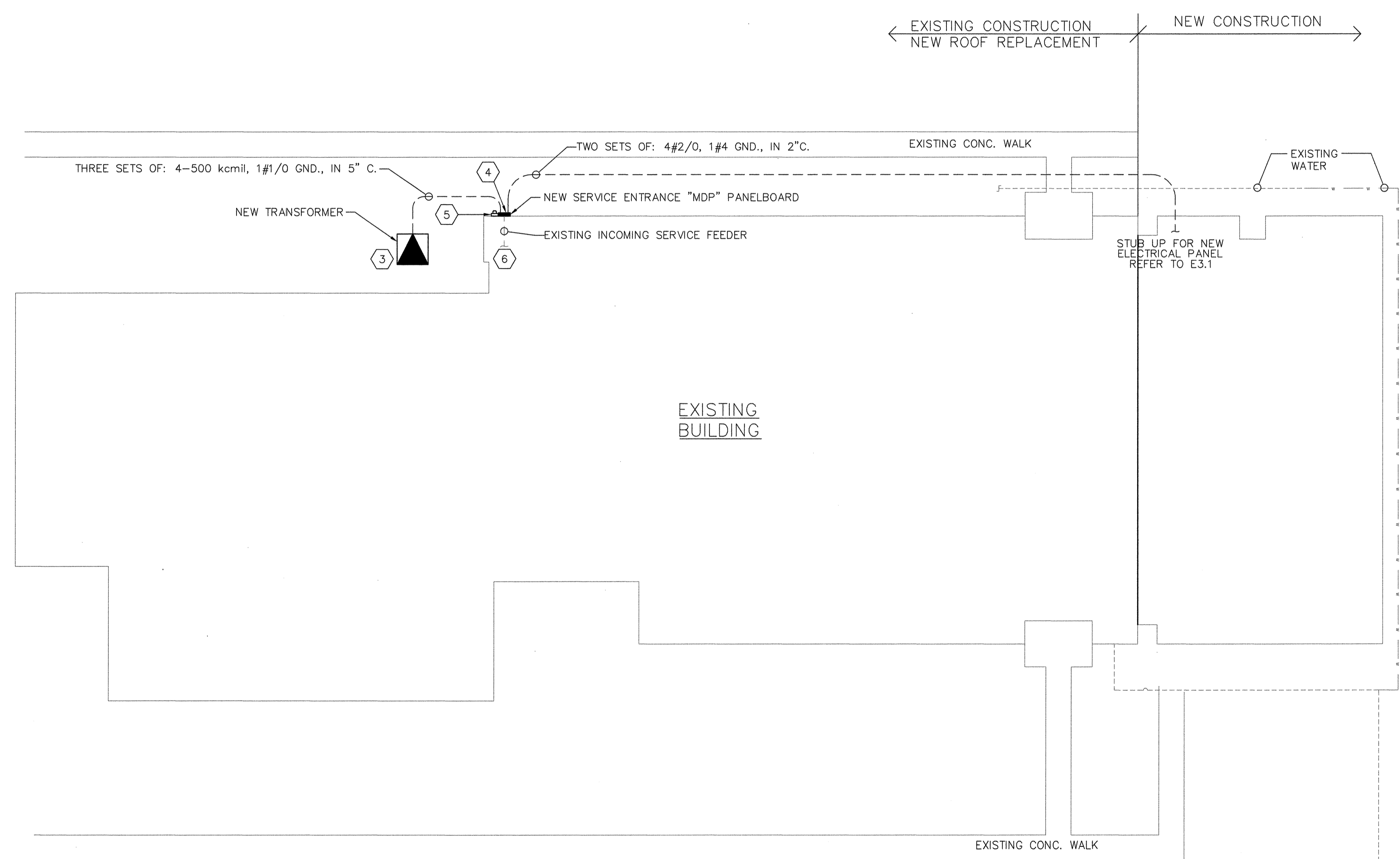


1 ELECTRICAL SITE DEMOLITION PLAN
 E1.1 SCALE: 1" = 20'-0" NORTH



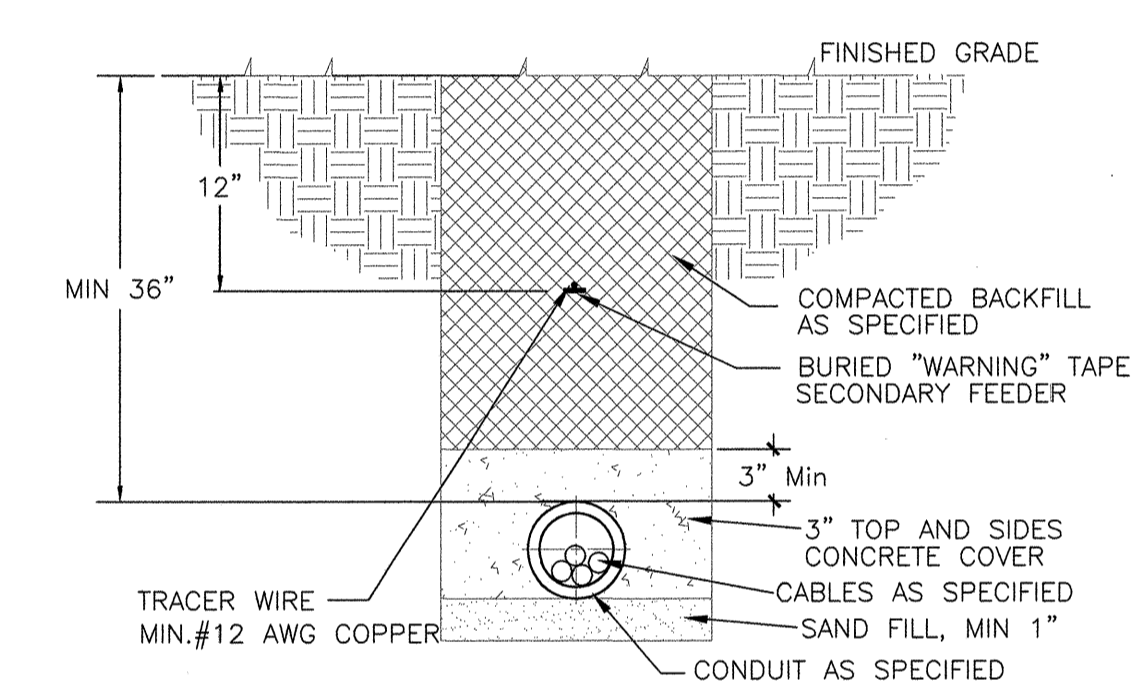
2 NEW ELECTRICAL SITE PLAN
 E1.1 SCALE: 1" = 20'-0" NORTH

GENERAL NOTES:

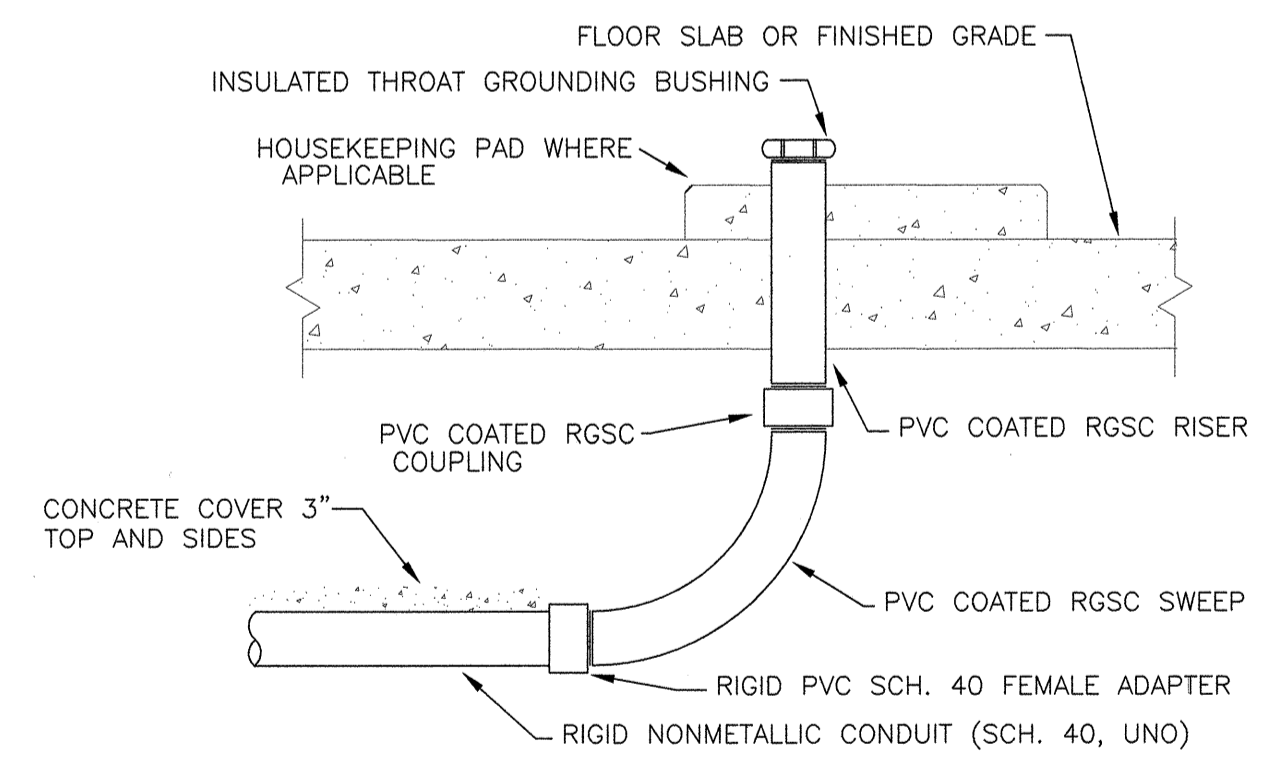
- CONTRACTOR SHALL INSTALL EQUIPMENT, DEVICES AND WIRING TO COMPLY WITH ALL THE LATEST NEC, NFPA, STATE AND LOCAL CODES.
- CONTRACTOR SHALL PROVIDE ALL NECESSARY EQUIPMENT, DEVICES OR COMPONENTS FOR COMPLETE INSTALLATION WHETHER EQUIPMENT, DEVICES OR COMPONENTS ARE SHOWN OR NOT.
- ALL CABLING SHALL BE CONCEALED IN CONDUIT UNDERGROUND. SURFACE MOUNTED CABLING SHALL NOT BE USED.
- REFER TO SHEET E1.0 FOR LEGEND AND ABBREVIATIONS.
- CONTRACTOR SHALL COORDINATED EXACT INSTALLATION LOCATIONS OF ELECTRICAL EQUIPMENT WITH OWNER.

KEYED NOTES:

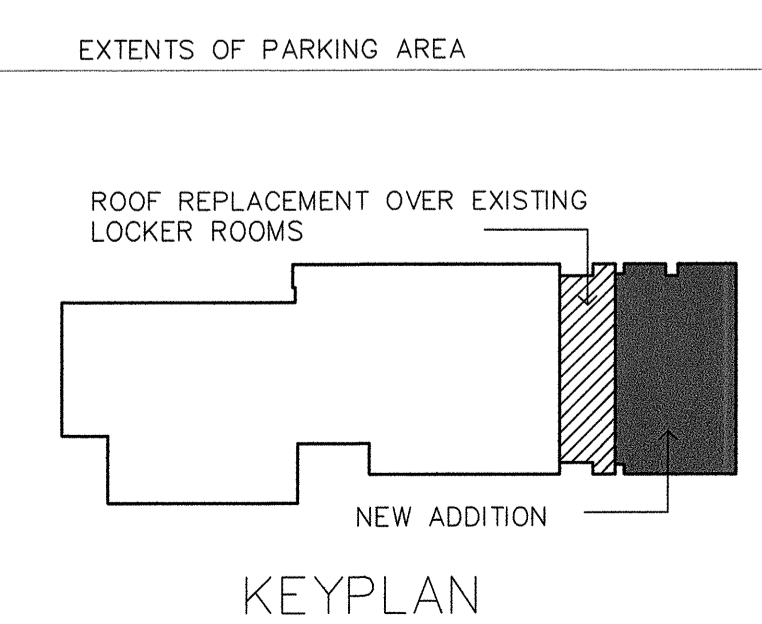
- CONTRACTOR SHALL REMOVE EXISTING 150kVA TRANSFORMER, TRANSFORMER PAD, AND ALL PRIMARY CABLING BACK TO POWER SOURCE. CONTRACTOR SHALL MAINTAIN EXISTING SECONDARY FEEDING INTO BUILDING FOR CONNECTION TO NEW SERVICE ENTRANCE PANELBOARD. CONTRACTOR SHALL COORDINATE ALL DEMOLITION WITH OWNER AND PSO ELEC. COMPANY.
- CONTRACTOR SHALL MAINTAIN AND MODIFY EXISTING 600A CABLING AND CONDUIT AS REQUIRED FOR RECONNECTION TO NEW "MDP" PANELBOARD. REFER TO KEYED NOTE X.
- NEW BUILDING TRANSFORMER AND PRIMARY CABLING PROVIDED BY PSO ELECTRIC COMPANY AND INSTALLED BY ELECTRICAL CONTRACTOR. CONTRACTOR SHALL COORDINATE EXACT INSTALLATION REQUIREMENTS WITH PSO.
- CONTRACTOR SHALL PROVIDE AND INSTALL A NEW 1000A BUS, 208Y/120V, 3PH, 4WIRE, SERVICE ENTRANCE PANELBOARD WITH 1000A MAIN BREAKER, AND WEATHER PROOF ENCLOSURE. THIS PANELBOARD SHALL SERVE AS THE NEW MAIN DISTRIBUTION PANEL "MDP" FOR EXISTING BUILDING AND NEW ADDITION. CONTRACTOR SHALL PROVIDE AND INSTALL A NEW 600A 3P BREAKER IN NEW "MDP" AND CONNECT EXISTING 600A FEEDERS FROM DEMOLISHED TRANSFORMER TO NEW "MDP" TO REFEED EXISTING 600A "MDP" IN EXISTING ELECTRICAL ROOM. CONTRACTOR PROVIDE AND INSTALL NEW 300A 3P BREAKER FOR CONNECTION OF NEW PANELBOARD FOR BUILDING ADDITION.
- CONTRACTOR SHALL PROVIDE AND INSTALL NEW BUILDING ELECTRIC METER. CONTRACTOR SHALL COORDINATE EXACT ELECTRIC METER REQUIREMENTS WITH PSO ELECTRIC COMPANY AND OWNER.
- EXISTING 600A FEEDER AND CONDUIT TO EXISTING BUILDING "MDP". CONTRACTOR SHALL REUSE EXISTING FEEDER AND CONDUIT FOR CONNECTION TO NEW EXTERIOR "MDP". CONTRACTOR SHALL FIELD VERIFY EXACT INSTALLATION AND MODIFICATION REQUIREMENTS FOR REUSE OF FEEDER AND CONDUIT BEFORE BIDDING TO VERIFY FEEDER IS IN ACCEPTABLE CONDITION FOR REUSE.



3 TYPICAL ELECTRICAL TRENCH DETAIL
 E1.1 SCALE: NTS



4 TYPICAL ELECTRICAL STUB-UP DETAIL
 E1.1 SCALE: NTS



ELITE ENGINEERING SERVICES
 a division of Global Knight Enterprises, LC
 Mechanical, Electrical, Plumbing (MEP) Engineering
 OK Certificate of Authority No. 3438
 11816 Blue Haven Ct.
 Okla. City, OK 73162
 office: 405.559.7555
 fax: 418.639.8012
 mobile: 405.640.1586
 email: eliteengr@cox.net



kerr 3 design group, inc.
 507 S. Coltrane Rd., Suite G
 Edmond, OK 73034
 tel 405/941-6546
 fax 405/941-6702
 www.kerr3.com
 Copyright © 2009 kerr 3 design group, inc.



VALLIANT SCHOOL DISTRICT
 JOHN PAUL SCROGGINS FIELDHOUSE
 VALLIANT, OKLAHOMA

ELECTRICAL SITE PLAN
 Jan 21, 2009
 SHEET
E1.1